
Polyester CombiBox

Applications





- Polyester GRP enclosure systems for industrial application
- Two level fitting possibility
- Combination of several enclosures by connecting flange

Including in delivery:

Enclosure consisting of lid and base with screws, individual inner height adjustment of mounting frame and mounting plate by 4 fixing elements

Technical data

Material:

glassfibre reinforced duroplastic Polyester

Colour:

RAL 7000, squirrel grey

special colour on request

Ingress protection:

IP 66, EN 60529

Impact resistance:

7 Joule, EN 60079-0

Flammability:

self-extinguishing, UL 94/V0

Surface resistance:

$>10^{12}$ Ohm, IEC 60093

Disruptive strength:

18 KV/mm, IEC 60243-1

Toxicity:

halogen free

Temperature range:

PU (polyurethane) seal: -40°C to +90°C

CR (chloroprene) seal: -40°C to +100°C

VMQ (silicone) seal (optional): -60°C to +130°C

Polyester CombiBox

Programme range

| Order No. | Order No. EMC version | Type | Dimensions (mm) |
|-------------|--------------------------|------------|--------------------|
| 02.01 22 15 | 02.02 22 15 | CombiBox 1 | 177 x 177 x 145 |
| 02.01 24 15 | 02.02 24 15 | CombiBox 2 | 360 x 177 x 145 |
| 02.01 44 15 | 02.02 44 15 | CombiBox 3 | 360 x 360 x 145 |

Accessories

| | |
|-------------|--|
| 02.01 99 01 | CombiBox flange |
| 02.01 99 02 | CombiBox 1 mounting frame 177 x 177 mm |
| 02.01 99 03 | CombiBox 2 mounting frame 177 x 360 mm |
| 02.01 99 04 | CombiBox 3 mounting frame 360 x 360 mm |
| 02.01 99 05 | CombiBox mounting frame fastening set |
| 02.01 99 06 | CombiBox lid safety strip |
| 02.01 99 07 | CombiBox well nut set |
| 10.06 14 85 | DIN rail TS 35/7.5 160 mm |
| 10.06 14 86 | DIN rail TS 35/7.5 110 mm |
| 10.06 14 87 | DIN rail TS 35/7.5 145 mm |
| 10.06 14 88 | DIN rail TS 35/7.5 293 mm |

Terminal mounting

| Phoenix | | | | | | | | | | | | | | Earth conductor connections | | | | | | | | | | | | | | |
|---------------------------------------|-----------|-------------|-------------|----------|----------|--------|--------|--------|---------|---------|-------|--------|--------|-----------------------------|---------|---------------------------------|------------------------------------|------------------------------------|----------------------------------|-----------------------------------|-----------------------------------|--------------------------------|--------------------------------|---------------------------------|---------------------------------|---|---|---|
| DIN rail TS 15 | X | X | X | | | | | | | | | | | | | | | | | | | | | | | | | |
| DIN rail TS 35 | | | | X | X | X | X | X | X | X | X | X | X | X | X | X | | | | | | | | | | | | |
| Voltage (V) | 250 | 400 | 500 | 500 | 800 | 800 | 800 | 800 | 800 | 800 | 1000 | 1000 | 1000 | 1000 | 1000 | | | | | | | | | | | | | |
| Current (A) | 24 | 32 | 41 | 17 | 24 | 32 | 41 | 57 | 76 | 101 | 150 | 150 | 232 | 309 | 415 | | | | | | | | | | | | | |
| Nom. cross section (mm ²) | 2.5 | 2.5 | 4 | 1.5 | 2.5 | 2.5 | 4 | 6 | 10 | 16 | 35 | 50 | 95 | 150 | 240 | | | | | | | | | | | | | |
| Terminal width (mm) | 5.2 | 5.2 | 6.2 | 4.2 | 5.2 | 5.2 | 6.2 | 8.2 | 10.2 | 12.2 | 15.2 | 20 | 25 | 31 | 36 | | | | | | | | | | | | | |
| Terminal type | | | | | | | | | | | | | | | | | | | | | | | | | | | | |
| Type | MBK 2.5 E | MBK 3 / E-Z | MBK 5 / E-Z | UK 1.5 N | UK 2.5 N | UK 3 N | UK 5 N | UK 6 N | UK 10 N | UK 16 N | UK 35 | UKH 50 | UKH 95 | UKH 150 | UKH 240 | MSLKG 5 insulated, green/yellow | USLKG 1.5 N insulated green/yellow | USLKG 2.5 N insulated green/yellow | USLKG 6 N insulated green/yellow | USLKG 10 N insulated green/yellow | USLKG 16 N insulated green/yellow | USLKG 3 insulated green/yellow | USLKG 5 insulated green/yellow | USLKG 50 insulated green/yellow | USLKG 95 insulated green/yellow | Earthing bar 2.5 mm ² with cable lug max. 10 mm ² | Earthing screw M4 with cable lug max. 6 mm ² | M6 with cable lug max. 35 mm ² |
| 02.01 22 15 | 18 | 18 | 15 | 23 | 18 | 18 | 15 | 11 | 9 | 7 | 6 | | | | | | | | | | | | | | | | | |
| 02.01 24 15 | 53 | 53 | 45 | 66 | 53 | 53 | 45 | 34 | 27 | 22 | 18 | | | | | | | | as required | | | | | | | | | |
| 02.01 44 15 | 212 | 212 | 135 | 264 | 212 | 212 | 135 | 102 | 81 | 44 | 36 | 28 | 11 | 11 | | | | | | | | | | | | | | |

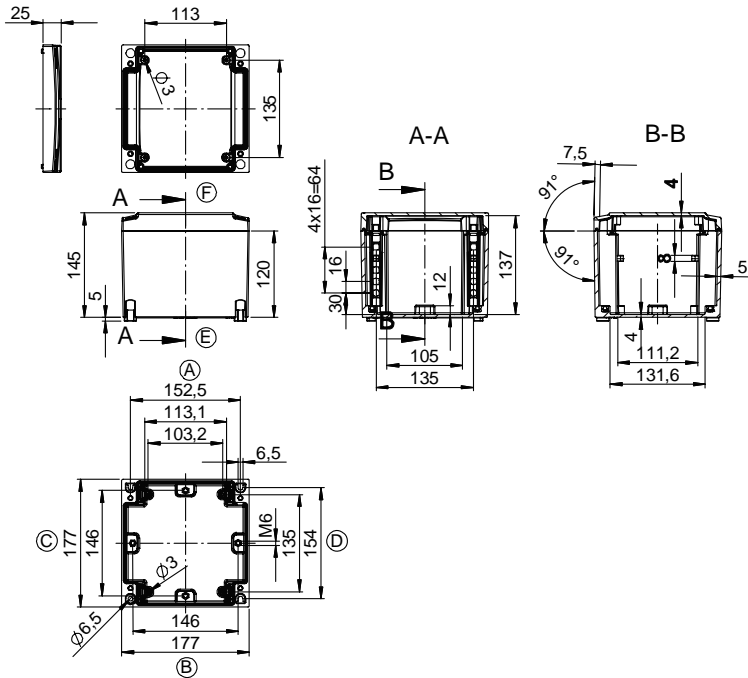
| Weidmüller | | | | | | | | | | | | | | | | | Earth conductor connections | | | | | | | | | | | | |
|---------------------------------------|---------------|---------------|-----------------|---------|-----------------|---------|-------|-----------|---------|-------|-------|--------|--------|--------|----------|-------------|-----------------------------|---------------|---------|----------------------|--------------------|--------------------|---------------------|---------------------|---------------------|--------------------------|---|---|---|
| DIN rail TS 15 | | | | X | X | X | X | | | | | | | | | | | | | | | | | | | | | | |
| DIN rail TS 35 | | | | | | | | X | X | X | X | X | X | X | X | X | X | X | X | X | | | | | | | | | |
| Voltage (V) | 400 | 400 | 400 | 250 | 400 | 250 | 400 | 500 | 800 | 800 | 800 | 1000 | 1000 | 1000 | 1000 | 1000 | 1000 | 1000 | 1000 | 1000 | 1000 | 1000 | 1000 | 1000 | 1000 | 1000 | 1000 | 1000 | |
| Current (A) | 32 | 32 | 32 | 17 | 17 | 24 | 32 | 24 | 24 | 32 | 41 | 57 | 76 | 125 | 192 | 232 | 269 | 309 | 415 | | | | | | | | | | |
| Nom. cross section (mm ²) | 4 | 4 | 4 | 1.5 | 1.5 | 2.5 | 4 | 2.5 | 2.5 | 4 | 6 | 10 | 16 | 35 | 70 | 95 | 120 | 150 | 240 | | | | | | | | | | |
| Terminal width (mm) | 38 | 52 | 92 | 5.1 | 3.5 | 5.1 | 6.1 | 5.1 | 5.1 | 6.1 | 8 | 10 | 12 | 16 | 20.5 | 27 | 27 | 32 | 36 | | | | | | | | | | |
| Terminal type | | | | | | | | | | | | | | | | | | | | | | | | | | | | | |
| Type | BK 4 (4-pole) | BK 6 (6-pole) | BK 12 (12-pole) | AKZ 1.5 | WDU 1.5 / R 3.5 | AKZ 2.5 | AKZ 4 | WDU 2.5 N | WDU 2.5 | WDU 4 | WDU 6 | WDU 10 | WDU 16 | WDU 35 | WDU 70 N | WDU 70 / 95 | WDU 95 / 120 N | WDU 120 / 150 | WDU 240 | WPE 2.5 green/yellow | WPE 4 green/yellow | WPE 6 green/yellow | WPE 10 green/yellow | WPE 16 green/yellow | WPE 35 green/yellow | WPE 70 / 95 green/yellow | Earthing bar 2.5 mm ² with cable lug max. 10 mm ² | Earthing screw M4 with cable lug max. 6 mm ² | M6 with cable lug max. 35 mm ² |
| 02.01 22 15 | 2 | 1 | 1 | 18 | 23 | 18 | 15 | 18 | 18 | 15 | 11 | 9 | 7 | 6 | | | | | | | | | | | | | | | |
| 02.01 24 15 | 8 | 4 | 2 | 53 | 66 | 53 | 45 | 53 | 53 | 45 | 34 | 27 | 22 | 18 | | | | | | | | | | | | | | | |
| 02.01 44 15 | 16 | 8 | 4 | 212 | 264 | 212 | 135 | 212 | 212 | 135 | 102 | 81 | 44 | 36 | 13 | 10 | | | | | | | | | | | | | |

Type: **02.01 22 15**

External dimensions: **177 x 177 x 145 mm**

Weight: **1710 g**

| | | | | | | | | |
|-----------------------|---------------------------|----------------------------------|----------------------------|------------------|-------------|------------------|-------------------|---------------------|
| DIN rail length in mm | max. fitting length in mm | Mounting plate (thickness in mm) | External mounting brackets | Lid safety strip | EMC version | Allen lid screws | Silicone lid seal | Sealable lid screws |
| TS 35 | 115 | 1,5 | | • | • | | • | |



Maximum number of cable glands to *DIN 50262**

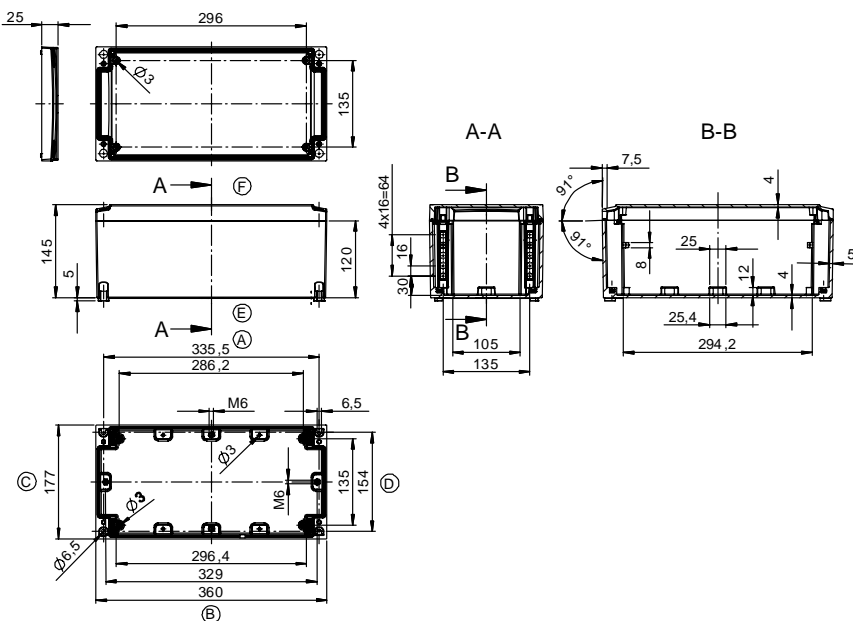
| M | Corner dim. | Side | | PG | Corner dim. | Side | |
|----|-------------|------|-----|------|-------------|------|-----|
| | | A/B | C/D | | | A/B | C/D |
| 12 | 17,25 | 36 | 36 | 7 | 17,25 | 36 | 36 |
| 16 | 25,30 | 16 | 16 | 9 | 21,85 | 20 | 20 |
| 20 | 27,60 | 12 | 12 | 11 | 25,30 | 16 | 16 |
| 25 | 37,95 | 6 | 6 | 13,5 | 27,60 | 12 | 12 |
| 32 | 48,30 | 4 | 4 | 16 | 31,05 | 10 | 10 |
| 40 | 60,95 | 2 | 2 | 21 | 37,95 | 6 | 6 |
| 50 | 69,00 | 1 | 1 | 29 | 48,30 | 4 | 4 |
| 63 | 74,75 | | | 36 | 60,95 | 2 | 2 |
| | | | | 42 | 69,00 | 1 | 1 |
| | | | | 48 | 74,75 | 1 | 1 |

Type: **02.01 24 15**

External dimensions: **360 x 177 x 145 mm**

Weight: **2730 g**

| | | | | | | | | |
|-----------------------|---------------------------|----------------------------------|----------------------------|------------------|-------------|------------------|-------------------|---------------------|
| DIN rail length in mm | max. fitting length in mm | Mounting plate (thickness in mm) | External mounting brackets | Lid safety strip | EMC version | Allen lid screws | Silicone lid seal | Sealable lid screws |
| TS 35 | 285 | 1,5 | | • | • | | • | |



Maximum number of cable glands to *DIN 50262**

| M | Corner dim. | Side | | PG | Corner dim. | Side | |
|----|-------------|------|-----|------|-------------|------|-----|
| | | A/B | C/D | | | A/B | C/D |
| 12 | 17,25 | 109 | 36 | 7 | 17,25 | 109 | 36 |
| 16 | 25,30 | 50 | 16 | 9 | 21,85 | 65 | 20 |
| 20 | 27,60 | 40 | 12 | 11 | 25,30 | 48 | 16 |
| 25 | 37,95 | 21 | 6 | 13,5 | 27,60 | 40 | 12 |
| 32 | 48,30 | 12 | 4 | 16 | 31,05 | 32 | 10 |
| 40 | 60,95 | 9 | 2 | 21 | 37,95 | 21 | 6 |
| 50 | 69,00 | 5 | 1 | 29 | 48,30 | 12 | 4 |
| 63 | 74,75 | 4 | 1 | 36 | 60,95 | 7 | 2 |
| | | | | 42 | 69,00 | 5 | 1 |
| | | | | 48 | 74,75 | 4 | 1 |

Type: **02.01 44 15**

External dimensions: **177 x 360 x 145 mm**

Weight: **4050 g**

| | | | | | | | | |
|-----------------------|---------------------------|----------------------------------|----------------------------|------------------|-------------|------------------|-------------------|---------------------|
| DIN rail length in mm | max. fitting length in mm | Mounting plate (thickness in mm) | External mounting brackets | Lid safety strip | EMC version | Allen lid screws | Silicone lid seal | Sealable lid screws |
| TS35 | 285 | 1,5 | | • | • | | • | |
| 333 | | | | | | | | |

Maximum number of cable glands to *DIN 50262**

| M | Corner dim. | Side | | PG | Corner dim. | Side | |
|----|-------------|------|-----|------|-------------|------|-----|
| | | A/B | C/D | | | A/B | C/D |
| 12 | 17,25 | 109 | 109 | 7 | 17,25 | 109 | 109 |
| 16 | 25,30 | 50 | 50 | 9 | 21,85 | 65 | 65 |
| 20 | 27,60 | 40 | 40 | 11 | 25,30 | 48 | 48 |
| 25 | 37,95 | 21 | 21 | 13,5 | 27,60 | 40 | 40 |
| 32 | 48,30 | 12 | 12 | 16 | 31,05 | 32 | 32 |
| 40 | 60,95 | 9 | 9 | 21 | 37,95 | 21 | 21 |
| 50 | 69,00 | 5 | 5 | 29 | 48,30 | 12 | 12 |
| 63 | 74,75 | 4 | 4 | 36 | 60,95 | 7 | 7 |
| | | | | 42 | 69,00 | 5 | 5 |
| | | | | 48 | 74,75 | 4 | 4 |

